



# Modified Sportsman 2020

Changes for 2020 will be in **RED**

## General Rules:

1. The Rules and/or Regulations set forth herein do not express or imply warranty of safety from publication of or compliance with Rules and/or Regulations. These rules are intended as a guideline for the conduct of Crate Racin' USA sanctioned Modified Sportsman Division events, and are in no way a guarantee against injury or death to participants, spectators, or officials.
2. The Rules and/or Regulations will apply to all Crate Racin' USA Modified Sportsman Division sanctioned events. The Rules and/or Regulations will also apply to events sanctioned by the Crate Racin' USA Modified Sportsman Division, but not counting for National points (i.e. events that pay more than Weekly Payout limit, event held outside of Points Season dates, World Championship, etc.).
3. Crate Racin' USA officials shall have full authority over said sanctioned events, and in the event of any dispute, the head official's decision will be final.
4. All competitors and cars are subject to inspection by Crate Racin' USA Technical Inspectors or their representatives at any time during any event.
5. Crate Racin' USA, and its officials and representatives reserve the right to confiscate any suspicious or deemed illegal parts or components.
6. Crate Racin' USA reserves the right to alter or amend these Rules and/or Regulations in the interest of fair competition, efficient completion of an event, or for safety. All official's decisions are final.
7. The Rules and/or Regulations for the Crate Racin' USA Modified Sportsman Division have been sanctioned and approved by Crate Racin' USA, P.O. Box 2037, Adairsville, GA 30103, and available online at [www.DurrenceLayneRacing.com](http://www.DurrenceLayneRacing.com).
8. There is NO appeal process in the determination of or application of fines and/or penalties assessed by the series. All Official's decisions are final, and drivers will not be allowed to compete in any sanctioned events until all fines are paid, penalties assessed have been cleared, and/or suspensions have been served.

## Safety Rules:

1. **Safety is the primary responsibility of the RACER!!**
2. Series recommends Drivers have a SFI-Approved full fire suit (top and bottom), gloves, and shoes. **Full Fire Suit (top and bottom or one-piece) is required (SFI rating optional, but highly recommended).**
3. **Snell rated SA2010 or SA2015 full-face helmet required.**
4. Series recommends the use of a head and neck restraint system, but is not required.
5. All cars must have a fully charged fire 2 lb. extinguisher mounted within reach of the driver. Series recommends a 5 lb. halon system.
6. All cars must have a kill switch within easy reach of the driver, and clearly marked "Off" and "On".
7. All cars must have a quality fuel cell with roll over valve(check valve) in fuel cell vent.
8. Minimum three(3) inch wide, two(2) inch if using head and neck restraint, SFI-Approved five point safety belts, mounted securely to the roll cage. (Recommend belts be no more than two years old.)
9. **Any pre-race technical/safety inspection and car or equipment is deemed unsafe by officials will result in not being allowed to compete. Official's decisions are final!**
10. All track specific general safety rules or requirements will apply at all times to all participants(i.e. window nets, gloves, door plates, head and neck restraints, etc.) at that track.
11. **RaceCeiver one way radios are REQUIRED at every sanctioned event. Failure to have a RaceCeiver(or equivalent one-way device) could result in disqualification. Malfunction of such device (i.e. dead battery, ear phone failure, etc.) will not constitute any penalty.**
12. **NO two-way radios, cell phones, or other communication devices will be allowed. RaceCeiver is the ONLY communication device permitted. Drivers caught with any other communication device will be disqualified for that event (heat or feature).**
13. **No mirrors are allowed at any location on the car.**
14. ALL weight/lead must be painted white and include the car number. Weight must be securely fastened to the car with a minimum two (2) ½" diameter bolts. No weight may be attached to the back bumper. Losing weight in any race (i.e. heat, b-main, feature) will result in disqualification for that event.

## Membership and Entry Fees:

1. All drivers participating at Crate Racin' USA Modified Sportsman Division sanctioned tracks and events must purchase an Annual Membership at a cost of \$50 per year **if purchased directly from the series by calling the office, purchasing on the series website, or via mail, or \$60 if purchased at the track(\$10 goes to track for Processing Fee)**. This membership makes the driver eligible for any Weekly Racing Series points fund monies and contingency awards.
2. A driver visiting and not competing at a Weekly Sanctioned track on a regular basis may purchase Temporary Membership at a cost of \$15 per race.
3. Weekly Sanctioned tracks will be updated of driver's membership status on a weekly basis via e-mail.
4. Any driver competing at a Weekly Sanctioned race track/event must pay a \$10 entry fee which goes back into the track's point fund. ALL entry fee monies collected through the season will be sent back to the track and disbursed by each track at season's end.

#### **Series Decal Requirements:**

1. The following are **REQUIRED**: Series decal will be required to be placed **on the left rear of the spoiler/tail piece, and on the upper front of the door under the pillar post, on each side(see body diagram)**. Chevrolet Performance, VP Racing Fuels, VP Racing Lubricants must be placed in clear view on each side of the car, drivers may choose to avoid interference with personally obtained sponsors **(rear sail panel, bottom of door, etc.)**. **Hoosier Racing Tire sticker must be placed above the rear tire wheel well on each side.**
2. Certain other manufacturers will award Contingency Prizes and/or Money. To receive these awards, the manufacturer's decal must be displayed on each side of the car. Cars will be checked by track and series personnel to verify appropriate decals are in place.

#### **Weekly Race Procedures:**

1. Race procedures at Weekly Sanctioned tracks are at the discretion of the individual speedway. Race tracks should be consistent and fair in their race formats and procedures at all times. Tracks should also keep in mind that racers are competing against competitors at all other Weekly Sanctioned tracks at the same time as at your track.
2. **If there is cause for concern that races are being manipulated or setup with unfairness towards any competitors, or other tracks, the series reserves the right to intervene and setup a reasonable solution/procedural program suitable for all parties.**
3. Weekly Sanctioned tracks may not have a double point race for Weekly Racing Series points. However, in the event of excessive rain outs where make-up races are needed, a track may run a double feature event for each **Weekly Racing Series event that was previously scheduled** and rained out. Track must provide notice to the Crate Racin' USA office by Monday at 5 P.M. EST of the week the track plans to make-up the event in order to allow the series to promote and inform all racers of what and where those events are taking place.
4. In the event of rain at the speedway during a scheduled Weekly Racing Series event, and the feature event has not completed more than half (1/2) the advertised laps, that event must be either cancelled completely or made up the next week as a Double Feature. The field will be set as qualified from the previous attempt to race.
5. Races that pay \$1,000 to win and under will be considered a point counting, sanctioned Crate Racin' USA Street Stock Division Weekly racing event. Any race paying \$1,001 to win or more will not count towards the Weekly Racing Series National point total.
6. No double/make-up feature events will be permitted after week 25, or during the final two weeks of the Weekly Racing Season.

#### **Technical Rules and Regulations:**

It is the obligation of each participant to ensure their conduct and equipment are in compliance with all applicable rules and procedures, as they may be amended. Any amendment(s) will supersede any previous rules regarding that aspect of competition. An amendment is effective from the date it is added to the official rules regardless of when a competitor receives notice.

Any new components (i.e. engine, suspension, body, frame, etc.) utilized in competition must be approved by Crate Racin' USA officials before being allowed in competition.

Failure to receive prior approval for any component may result in disqualification, loss of points and money, and a suspension or fine of the series choosing.

#### **Engine Rules:**

##### **Engine Option #1:**

1. Chevrolet Performance Part #88958602/19258602/88858602 (CT 350) Commonly referred to as "602" engine.

2. These engines are sealed at the intake manifold, cylinder head, front cover, and oil pan with special twist off bolt heads or Chevrolet Performance cap seals, which are installed at the Chevrolet Performance factory.
3. The ONLY seals allowed for competition are:
  - a. GM original twist off bolts
  - b. Chevrolet Performance cap seals
  - c. Crate USA Gen IV(Green) or Gen V(Black) cable seals, RUSH cable seals, or IMCA cable seals.
  - d. To compete with ANY other seal/sealing system contact Crate Racin' USA for approval.
4. These sealed engines must not be altered, modified, or changed from factory specs. The sealed engines must remain intact and not tampered with.
5. Any seals that have been removed or tampered with will make the engine illegal and not eligible for competition. The penalty for anyone tampering with seals, modifying any internal engine parts, or changing the parts from stock as delivered sealed from the factory will be subject to expulsion from racing in any Crate Racin' USA sanctioned event for the remainder of the season and future seasons, as determined by officials.
6. No changes are allowed to the engine including the intake manifold, heads, valve covers, front cover, oil pan, harmonic balancer, or any other part(s) on or in the engine.
7. No vacuum pumps. No evac systems of any type, including but not limited to the breather system style.
8. Engine's Chevrolet Performance serial number, and when applicable, Crate USA build certification number, must be clearly visible to series technical inspectors.
9. Driver's finishing in the top 5 may claim/purchase the engine of any car finishing ahead of them. Claim fee is \$3,800. Engine claimed will be just as it comes from Chevrolet Performance and WILL NOT include any accessories, carburetor, water or fuel pump, wires, distributor, etc. Refusal of claim will result in immediate disqualification and penalized the same as an engine that was found illegal inside the seal system (infraction penalty #1 below).

**Engine Claim Procedure:**

- Competitor, either driver or car owner, finishing in the top five of the feature race, must hand a Crate Racin' USA or track official \$3,800 cash within five (5) minutes after the checkered flag falls on the feature race.
- Engine will be removed, confiscated, and inspected by CRUSA officials at an agreed upon time and place upon being claimed. If legal, competitor claiming engine will receive the engine and will have to have engine re-sealed by a certified rebuilder of their choice. Series will provide seals for re-sealing. If engine is found to be illegal, driver being claimed will be penalized as outlined in infraction penalty #1 below and claiming driver will receive refund of their claim money.

**Engine Option #1 Infraction Penalties:**

- 1) Any violation of the engine rules and/or factory specs inside the sealing system of the engine will result in the driver and/or owner being disqualified from that event and suspended from series competition for 365 days and pay a \$1,000 fine. After that period, the driver can only compete in series events with an engine equipped with original factory GM seal bolts, CP cap seals, or Crate USA seals from an authorized rebuilder approved and authorized by Crate Racin' USA officials. Driver and/or owner will be notified in writing of series' decision, via certified mail. All official's decisions are final.
- 2) Any violation of the engine rules and/or factory specs outside the sealing system of the engine will result in the driver being disqualified from that event. Driver and/or owner may be suspended from series competition for up to but not more than 30 days and fined up to but not more than \$500 at series' officials' discretion. Driver and/or owner will be notified in writing of series decision. All decisions are final.

**Engine Option #2:**

1. 362 cubic inch maximum, factory steel production blocks.
2. Any cast iron 23\* steel heads. No porting or polishing of cylinder head. No aluminum heads.
3. Max valve size: 2.02" intake, and 1.6" exhaust.
4. Any intake manifolds. No porting or polishing.
5. Steel or cast cranks and rods. No exotic material cranks or rods (ex.: aluminum or titanium)
6. Flat top pistons only.
7. Any flat tappet camshaft only. No roller cams.
8. Timing chains only. No gear drives.
9. Stud mount rockers only. No stud girdles.
10. Stock diameter valve springs only. 1.260" maximum O.D. Beehive springs allowed, 1.320" maximum O.D., ANY manufacturer (Chevy, Ford, or Dodge). NO double valve springs.

### **Engine Option #2 Infraction Penalties:**

- 1) Any violation of the engine rules and specs internally or within the seal of the engine will result in the driver and/or owner being disqualified from that event and suspended from series competition for 365 days and pay a \$1,000 fine. Driver and/or owner will be notified in writing of series decision. All decisions are final.
- 2) Any violation of the engine rules and/or factory specs outside the sealing system of the engine will result in the driver being disqualified from that event. Driver and/or owner may be suspended from series competition for up to but not more than 30 days and fined up to but not more than \$500 at series' officials' discretion. Driver and/or owner will be notified in writing of series decision. All decisions are final.

### **Engine Protests:**

1. Protest fee for a complete tear down on an engine that finishes the feature event is **\$1,000**. Complete tear down is the only option available. The protest fee must be paid to the race director or technical director, in cash, within 10 minutes after the checkered flag has fallen on the feature. Must finish in the top 5 to be eligible to protest. \$100 of protest fee will go to the track. \$200 will go to the series. Remainder of the protest money (**\$700**) will go to the winner of protest. **Any part or parts found to be illegal will be confiscated.**
2. Any time an engine is protested, and driver/car owner accepts the protest and agrees to tear down, the engine being protested, **along with the carburetor**, must be removed and impounded by racetrack immediately. Arrangements for Crate Racin' USA Technical Director to inspect engine will be made, and parties involved will be made aware of time and location of inspection that is suitable to all. Any refusal for removal, impound, or inspection will result in disqualification.
3. There will be NO counter/reverse protesting or **claims** allowed (cannot protest car finishing behind you).
4. Any Crate Racin' USA sanctioned track is authorized to call for or arrange an engine inspection by the Technical Director at any time. If this occurs, track will remove the engine **and carburetor**, and impound until arrangements can be made to inspection time suitable for all involved.
5. **If an engine is torn down by series' or track officials, and not protested by another driver, series will provide gasket set and Crate USA engine seals to the Certified Rebuilder of choice, of the driver being torn down.**
6. Only two (2) people from the car being protested, and the driver filing the protest will be allowed in the determined tech area during any tear down. Driver initiating the protest must be present, unless extreme circumstance and arrangement is made with officials. All official's decisions are final.
7. Failure and/or refusal to tear down any engine or refusal to allow your car to be inspected by series officials at any time will result in a 365-day suspension and a fine in an amount to be determined by series officials.

### **Weight Rules:**

1. Cars equipped with Chevrolet Performance 602(Engine Option #1) must weigh 2,400 lbs.
2. Cars equipped with engines falling under Engine Option #2 Rules must weight 2,600 lbs.
3. All cars will be allowed a 1 lb. per green flag lap burnoff allowance at the completion of any race (example: 8 lap heat race = 8 lb. allowance).
4. Each track's on-site scales will be the official scales used to determine the official weight of each car.
5. ALL weight/lead must be painted white and include the car number. Weight must be securely fastened to the car with a minimum two (2) ½" diameter bolts. No weight may be attached to the back bumper. Losing weight in any race (i.e. heat, b-main, feature) will result in disqualification for that event.

### **Engine Setback Rule:**

1. Engine bell housing flange to center of axle tube – 70" minimum

### **Carburetor Rules:**

1. Engine Option #2 – 500 CFM 2 barrel only.
2. 2 Barrel carburetor will be checked with go-no-go gauges top to bottom.
3. Either engine Option may run 1" maximum carburetor spacer, .040" tolerance. At no point may spacer extend into intake manifold area. Two (2) standard thickness carburetor gaskets, .070" maximum thickness allowed.
4. Engine Option #1 – may run one (1) four-barrel carburetor only. Chevrolet Performance 602 Circle Track Engines perform best with a quality 650 CFM carburetor.
5. All carburetors (for both engine options) must have conventional style floats along with needles and seats. NO individual cylinder tuning or equivalent allowed.
6. All carburetors (for both engine options) must have conventional "Holley-style" straight or down leg boosters. NO exceptions. NO super bowl type carburetors allowed.

### **Distributor Rules:**

1. No magnetos.
2. MSD is ok – 6AL or 6ALN MSD box ONLY.
3. Series or track reserve the right to change MSD boxes with any car at any time.
4. No electronic traction control devices allowed. MSD box may be confiscated by series at any time.
5. Drivers finishing in the top 5 may protest another top 5 finishers box for \$100. Series keeps \$100 protest fee.

### **Starter Rule:**

1. All cars must have a starter in working order. Starter must be mounted in stock location. NO reverse mount starters.

### **Water Pump and Power Steering Pump Rules:**

1. Stock type cast or aluminum water pump permitted.
2. No electric water pumps.
3. Manual fans only. No electric fans.
4. No reverse mount power steering pumps.

### **Exhaust Rules:**

1. Collector type headers required. Must have four (4) tube into one (1) collector.
2. Mufflers not required, UNLESS track mandates them. *If mandated, mufflers must have some type of internal noise dampening characteristics i.e. baffles, extruded holes, screen, chambered, etc. Mufflers must meet local speedway's noise decibel requirements.*
3. No tri-y headers or merged headers allowed.
4. No square tube headers.

### **Roll Cage Rules:**

1. Must be constructed of minimum 1.05" O.D. steel tubing, with a minimum wall thickness of .095".
2. Minimum of 3 door bars, minimum of 1.05" O.D. steel tubing and .083" minimum wall thickness on driver's side.
3. Minimum of 2 door bars on passenger side
4. Driver's head/helmet should not protrude outside of cage with helmet on.

### **Body Rules:**

1. See attached diagram for specific body measurements.
2. Full size fiberglass or aluminum roofs. No dished roofs.
3. **Cars may NOT run topless. Topless races will not count for points, unless approved in advance by Crate Racin' USA officials, in which drivers will be given notice. These exceptions will be a rare occasion, or long-standing event, and not acceptable on a regular basis.**
4. Sail panels – must be solid and meet specifications in attached diagram. Must be mounted within 2" of outside edge of interior deck.
5. Rear spoiler – 4" maximum material height and maximum 67" wide. Maximum three (3) spoiler braces allowed, must be mounted in line, of equal material. No wings, lips, or fins of any type allowed.
6. Aluminum nose panel must be flat, with a maximum 2" side fins allowed on nose.
7. Engine compartment must remain open, with no side panels.
8. Nose pieces may be maximum 42" width, centered between frame rails, and must not extend past the leading edge of the front bumper.
9. **No rub rails, or any bars of any type outside of the tires/body panels allowed.**

### **Transmission and Driveline Rules:**

1. No straight/direct drives. No in or out boxes.
2. Bert, Brinn, or equivalent ok.
3. Drive shaft loop mandatory on all cars. Must be mounted 5" to 8" behind front U-joint of drive shaft.
4. All drive shafts must be painted white for safety.

### **Suspension Rules:**

1. No data acquisition devices of any type allowed.
2. **Front Suspension:**
  - a. No spring rubbers.

- b. Stock lower control arms must be mounted in stock location.
  - c. Any stock passenger car spindles.
  - d. One spring allowed on each corner. Must be a minimum of 5".
  - e. Tubular upper A-frames allowed. Upper A-frame mounts may be relocated.
  - f. No bump stops of any type allowed.
  - g. No chains/limiters of any type allowed.
  - h. Stock type steering box. No rack and pinion. Steering quickener ok. Stock center link.
  - i. Tie rods may be tubular and made with hyme joints.
  - j. Steel brake rotors and calipers only. No aluminum suspension parts allowed.
- 3. Rear Suspension:**
- a. No spring rubbers. No progressive springs.
  - b. Quick change rear ends allowed. Magnetic steel axle tubes, hubs, rotors, and drive flanges only. No gun drilled axles.
  - c. Steel brake rotors and calipers only.
  - d. All rear suspension mounts and/or brackets must be welded or bolted solid.
  - e. One spring allowed on each corner. All springs must be a minimum of 5".
  - f. All rear springs must be mounted centerline of rear end housing.
  - g. No sliders.
  - h. Three(3) link suspension setups must adhere to the following requirements:
    - I. Lower control arms must be a maximum length of 24" and minimum of 15".
    - II. Upper control arm should be constructed of solid material located at the top center of the rear end housing and remain centered over the rear end housing and top of the drive shaft(1" tolerance). No movable brackets.
    - III. One panhard bar, minimum 23" length, may be mounted behind the rear end housing.
    - IV. J-bar may be used, minimum 19 ½" length. Must be mounted from left side of chassis to the right side of the drive shaft.
    - V. Rear springs must be mounted on top of axle tube. Center of spring must be center of axle tube. Zero tolerance!
  - i. Stock OEM suspension setups must adhere to the following requirements:
    - I. Lower control arms must remain in stock location on chassis.
    - II. Lower control arms must be mounted no lower than 2 ¾" from bottom of axle tube.
    - III. Upper control arms must remain in stock location on chassis.
    - IV. Upper control arm mounts 7 ¾" from center of axle tube to center of mounting bolts.
    - V. Rear springs must be mounted on top of axle tube. Center of spring must be center of axle tube. Zero tolerance!
4. Leaf spring suspension – any leaf spring allowed. No coil springs allowed.
5. No bump stops of any type allowed.
6. Solid limiting chain allowed on left rear suspension only.

**Chassis and Frame Rule:**

1. Wheelbase – minimum 108", maximum 112".

**Fuel, Fuel Cell, and Fuel Pump Rules:**

1. An approved fuel cell must be securely mounted in the trunk area of the car, inside a .20 gauge metal box supported by a minimum of 2" x 1/8" steel straps.
2. Gasoline, Racing Gas, or E-85 fuel allowed. No methanol or alcohol. None of the following chemicals are allowed in any fuel used for competition: No nitrous oxide, propylene oxide, nitroethane, MTBE, hydrazine, or ethylhexanol.
  - a. Gasoline or Race Gas – specific gravity NOT to exceed .744 at 60 degrees. Any gasoline or race gas with a specific gravity of .745 or greater will be disqualified. Fuel is subject to testing on site, or fuel samples may be taken and sent to an independent lab for testing.
  - b. E-85 – specific gravity not to exceed .7855 at 60 degrees. Any E-85 with a specific gravity of .7856 or greater will be disqualified. Fuel is subject to testing on site, or fuel samples may be taken and sent to an independent lab for testing.
  - c. It is the competitor's responsibility to know what is being put into their fuel cell.
3. **VP Racing Fuels and Lubricants is the Official Fuel and Lubricant of Crate Racin' USA. We encourage competitors to find your local VP Racing Fuel dealer as their products are proven to be most consistent and always "Makin Power".**

4. Drivers finishing in the top 5 may protest the fuel of car or cars finishing ahead of them. Protest fee is \$150. Driver filing protest must have money with them and notify track or series official within 5 minutes of the checkered flag in that event. Fuel sample(s) will be taken and sent to an independent lab chosen by the series for testing. All official's decisions and lab results are final and official.
5. **Penalties for any illegal fuel are as follows:**
  - a. **First Offense** - \$500 fine and 30-day suspension from any Crate Racin' USA sanctioned events
  - b. **Second Offense** - \$1,000 fine and 90-day suspension from any Crate Racin' USA sanctioned events
  - c. **Third Offense** - \$2,000 fine and 365-day suspension from any Crate Racin' USA sanctioned events.
  - d. **ALL OFFICIAL'S DECISIONS ARE FINAL, AND INDEPENDENT LAB USED WILL BE AT SERIES' DISCRETION.**
6. Mechanical fuel pump only. Must be mounted in stock location

#### **Shock Rule:**

1. Steel bodied, symmetric (same size/diameter), non-adjustable shocks only. No Schrader valve shocks. No piercing valves. Shock valving or gas pressure may not be adjustable at the racetrack. No shock covers. No air shocks. No remote reservoir shocks.
2. Front shocks must extend 7" minimum and must be fully collapsible. Rear shocks must extend 9" and must be fully collapsible.
3. **Shock Claim:**
  - a. \$200 per shock
  - b. Car claiming shock(s) must finish in the top 5 and on the lead lap. Claims must be made to Tech Official within 5 minutes after the checkered flag falls on the feature event.
  - c. No reverse shock claims (cannot claim shocks from car finishing behind you)
  - d. Refusal to allow shocks to be claimed or confiscated by officials will result in driver losing all points and money for that event, and face the following punishment:
    - i. First Offense – 2-week suspension from any CRUSA sanctioned event and \$250 fine
    - ii. Second Offense – 30-day suspension from any CRUSA sanctioned event and \$500 fine
    - iii. Third Offense – 365-day suspension from any CRUSA sanctioned event and \$1,000 fine
4. Series or track officials may confiscate or claim shocks at any time. If confiscated and shocks are determined to be legal, they will be returned to driver and points and money will be awarded as earned. If shocks are determined to be illegal, driver will lose all points and money from the event and face the following punishment:
  - i. First Offense – 2-week suspension from any CRUSA sanctioned event and \$250 fine
  - ii. Second Offense – 30-day suspension from any CRUSA sanctioned event and \$500 fine
  - iii. Third Offense – 365-day suspension from any CRUSA sanctioned event and \$1,000 fine

#### **Tire and Wheel Rules:**

1. 8" maximum steel wheels. Beadlocks allowed. Stock type lug pattern only.
2. No wide 5 wheels or adapters.
3. **Wheel covers must be securely fastened. Recommend that wheel covers have a minimum of 5 mounting points. Wheel covers having only 3 attachment points must be bolted on at all 3 points using a minimum 1/4" or 5/16" magnetic steel hex head bolt and fastening (nut assembly) system. Cars that lose a wheel cover may be subject to disqualification.**
4. Hoosier H500 tires ONLY.
5. No grooving or siping. Grinding/buffing is permitted. NO visual cuts should be present on tires. Use of carbide/nail style discs is prohibited.
6. Tires must remain in factory manufactured condition. Any alteration from factory manufactured condition is prohibited. All decisions are final.
7. **No chemically altering of tires.**
8. Tires must punch 55 at ambient temperature (cold). The series' durometer is the official durometer and testing method of punch number rule. Any tire failing to punch properly will be subject to further test methods and disqualification. Tire(s) in question may be confiscated and tested by any means deemed necessary by track or series' officials. All decisions are final.
9. **Drivers finishing in the top 5 may protest the tire of car or cars finishing ahead of them. Protest fee is \$150. Driver filing protest must have money with them and notify track or series official within 5 minutes of the checkered flag in that event. Tire samples will be taken and sent to an independent lab chosen by the series for testing. All official's decisions and lab results are final and official.**
10. **Penalties for illegal tires:**
  - a. First Offense - \$500 fine and 30-day suspension from any CRUSA sanctioned event
  - b. Second Offense - \$1,000 fine and 90-day suspension from any CRUSA sanctioned event

- c. Third Offense - \$2,000 fine and 365-day suspension from any CRUSA sanctioned event
- d. Failure to allow any tire(s) to be confiscated will result in an additional \$500 per tire fine added to any other fines and penalties. All decisions are final.

#### **Fines, Penalties, and Suspensions:**

1. **Pre-Race Technical Violation(s):** Any technical violation(s) discovered during pre-race technical inspection, the driver will be notified of violation(s), and car must be fully in compliance before allowed to compete.
2. **Legality of Part(s):** Any question concerning legality of part(s) by CRUSA or track technical inspector, the part(s) in question will be confiscated and sent to Chevrolet Performance or CRUSA for further inspection. The finish for this race will be held until legality of part is determined. Points, monies, and finish will be adjusted in the event of a disqualification. Any parts deemed illegal will be confiscated. Failure to allow confiscation of any part will be penalized the same as an inside the sealing system engine infraction and penalized accordingly (see Engine Option #1 Penalty #1).
3. By entering and/or competing in any Crate Racin' USA sanctioned event, drivers, car owners, and team members waive any right to file an appeal. All official's decisions are final.
4. All decisions of series officials and/or the promoter regarding the application or interpretation of the rules, and the scoring of finishing positions shall be non-litigable. All participants agree that they will not initiate any legal action against Crate Racin' USA, LLC, the promoter, or officials to challenge any decision, to seek monetary damages, to seek injunctive relief, or to seek any kind of legal remedy. Any such legal action pursued by a participant which violates this provision, the participant (driver) and/or owner expressly agrees to reimburse Crate Racin' USA, LLC for all its attorney fees and costs in defending against such legal action.
5. By signing the annual membership/registration agreement, participants agree that they will comply with the written rules and procedures of Crate Racin' USA, LLC. If the participant breaches this membership/registration agreement, he or she will be liable for actual and liquidated damages sustained by Crate Racin' USA, LLC.

#### **Code of Conduct and Conduct Penalties:**

1. Drivers, car owners, and teams are to always conduct themselves in an orderly and professional manner while competing at any CRUSA sanctioned event. Series director will judge incidents of conduct accordingly and use the following criteria to assess any penalties upon a driver, car owner, or race team as necessary.
2. Driver will be notified of penalties that have been levied by the series director. All series director's decisions are final.
3. Series director may choose to levy monetary fines, suspension from sanctioned events, and deduct points as deemed necessary by the rules infraction or actions taken by a driver at any time. Series and tracks reserve the right to enforce or levy fines, points penalties, require changes, or suspension from competition for any actions deemed detrimental to the sport, series, or track. This includes, but is not limited to, **social media posts**, and/or derogatory or distasteful statements/slogans/photos/graphics on cars or any other driver related material visible to the public (i.e. helmets or driver's suits, trailer or transporter, etc.).
4. **Series will adhere to, and uphold any suspension levied on a driver by a specific track. If a driver has been suspended or barred from entering the property, that will be upheld by the series. Series and sanctioned event do not overrule a track's decision to refuse entry to any driver, car owner, or crew member.**
5. NOTE: These rules are not intended to eliminate competition or accidental contact. However, they are intended and may be used to penalize deliberate contact and/or over-driving or deemed deliberate acts of aggression towards other drivers.
6. No driver will be allowed to compete/participate while under the influence of any alcoholic beverage or illegal/controlled substances. If a driver is found to be participating in such a manner, that driver will be immediately suspended and removed from competing.
7. Any competitor that verbally abuses a series or track official by using profane and/or disrespectful language is subject to a fine of \$100 for the first offense. A \$300 fine, one-race suspension, and loss of points for the second offense. After a second offense, driver is subject to 30-day or longer suspension and loss of points as determined by officials.
8. Any physical confrontation, either on the track or in the pit area, will result in the aggressor(s) being suspended for one race, loss of points, and \$300 fine for the first offense. A second offense will result in the driver being suspended for the remainder of the seasons, and a \$500 fine.
9. Any driver who enters another driver's pit area, or approaches another driver's car on the speedway, will be deemed the aggressor. Away from either driver's pit area, both drivers will be considered aggressors. Drivers should be aware that they are responsible for any member of their race team, and the above penalties will apply to the driver concerned even if the driver is not directly involved.
10. In the event of a felony conviction of a driver, team member, or team sponsor, disciplinary action could be a minimum of a 365-day ban from the series beginning with the date of the conviction or the date of the completion of any incarceration to said conviction, whichever date shall last occur.



11. Disciplinary action may also include, but is not limited to, the right of the series organizers and officials to suspend either temporarily, or permanently, any driver, team member or sponsor, whose actions, in the sole opinion and discretion of the series organizers and officials, may have resulted in, or may result in harm or detriment to Crate Racine' USA.
12. Any incidents occurring during the last five events of the season, may result in penalties being applied to the beginning of the following season.
13. Any incident(s) that are judged to be deliberate acts of aggression, whether on or off the track, under green or caution, will result in disqualification and a monetary fine to be determined by series' officials.
14. Series officials reserve the right to increase the above penalties, by either adding additional money, suspension time, or points loss, depending on the severity of the incident.
15. Series officials reserve the right to revoke a competitor's membership at any time. All official's decisions are final.
16. Any threat of, or legal action taken or levied against the series by a driver/race team, will immediately result in that driver's indefinite suspension from competition in any/all Crate Racine' USA sanctioned divisions and events.
17. Any disqualification, other than a weight violation, will result in no points and no money for the event. Weight violation will move the driver to the end of the finish order.
18. The decisions made and disciplinary actions taken by the series and officials hereunder shall not be appealed by the driver, team member, or team sponsor affected thereby.
19. ALL OFFICIAL'S DECISIONS ARE FINAL.

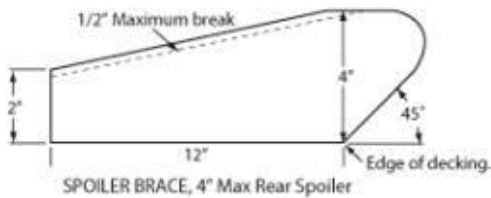
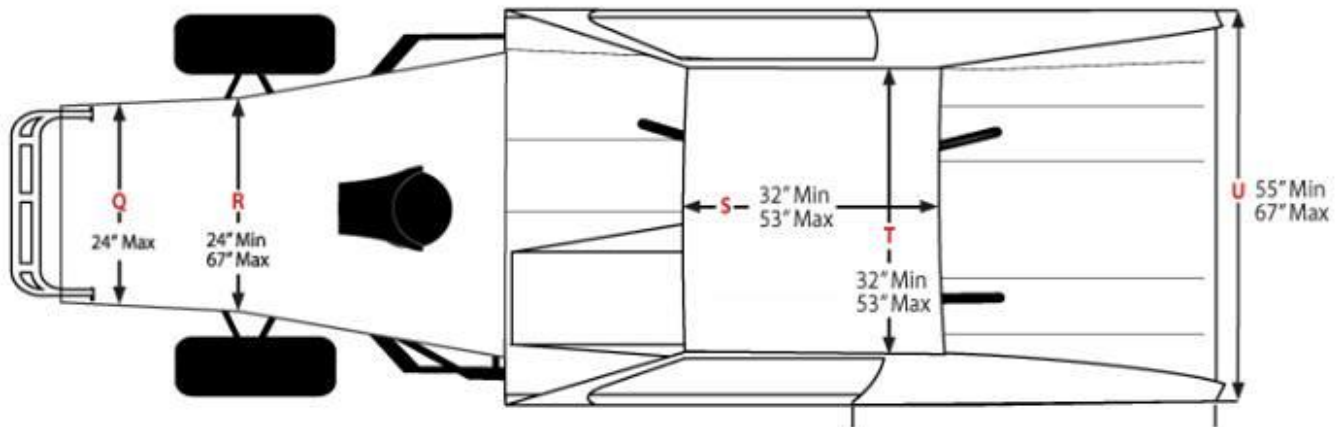
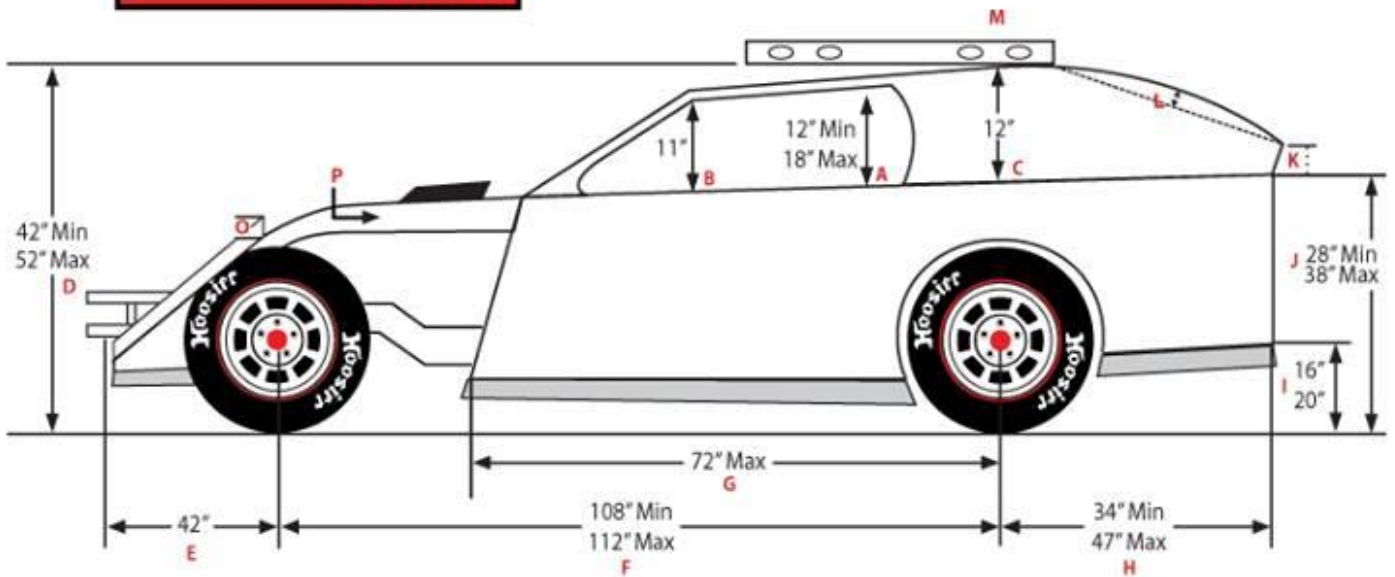
**ATTENTION CAR OWNERS AND DRIVERS:**

Please remember that we are here and can race because of the fans, promoters, and sponsors. If they don't benefit, we won't benefit. While we understand that this competition involves substantial financial stakes, there is no excuse for bad or unruly behavior which would tend to bring the series, tracks, or sponsors into disrepute.

**PLEASE NOTE:** By entering, qualifying, and/or competing in a Crate Racine' USA event, you are accepting these rules and regulations as being those under which you are prepared to race. Any driver entering and competing in a Crate Racine' USA event acknowledges and accepts the following: Crate Racine' USA and its assigns may use the drivers names, pictures, likeness, and performance in any way, medium, or material, including without limitation by and through, television, radio, air wave: cable and satellite broadcasts, film productions, videotape reproductions, audiotape reproductions, transmissions over the internet, and public and private on-line services authorized by the Crate Racine' USA and the like, before, during, and after the event, for promoting, advertising, recording or reporting in the event or any other Crate Racine' USA sanctioned event, and do hereby relinquish all rights there to for these purposes, provided however, that the car owner and driver shall retain the exclusive use of its or his/her name, picture and likeness in connection with product endorsements and the sale of products, services, concessions, and merchandise.



# Dimensions For 2020



- A. Window opening - 12" Min - 18" Max
- B. Front edge of roof to interior deck - 11" Min
- C. Rear edge of roof to interior deck - 12" Min
- D. Highest point of roof to ground - 42" Min - 52" Max
- E. Center of front wheel to front edge of front bumper - 42"
- F. Wheelbase: Center of rear wheel to center of front wheel - 108" Min - 112" Max
- G. Center of rear wheel to front edge of door - 72" Max
- H. Center of rear wheel to rear edge of quarter panel - 34" Min - 47" Max
- I. Center of lowest bar on rear bumper to ground - 16" Min - 20" Max
- J. Deck height to ground - 28" Min - 38" Max
- K. Rear sail panel height 4" Max
- L. Sail panel curve from rear of roof to rear of panel - 2" Max
- M. Sail panel bow from bottom to roof - 2" Max
- O. 2" Max lip, same on both sides flush with hood
- P. 5" Max drop(sides) sealed off from driver's compartment and Max 6° rake
- Q. 24" Max nose must be flat and flush with sides
- R. 67" Max 24" Min, must cover radiator
- S. 53" Max 32" Min
- T. 53" Max 32" Min
- U. 67" Max 55" Min, measured at top of interior deck, must be same front to back